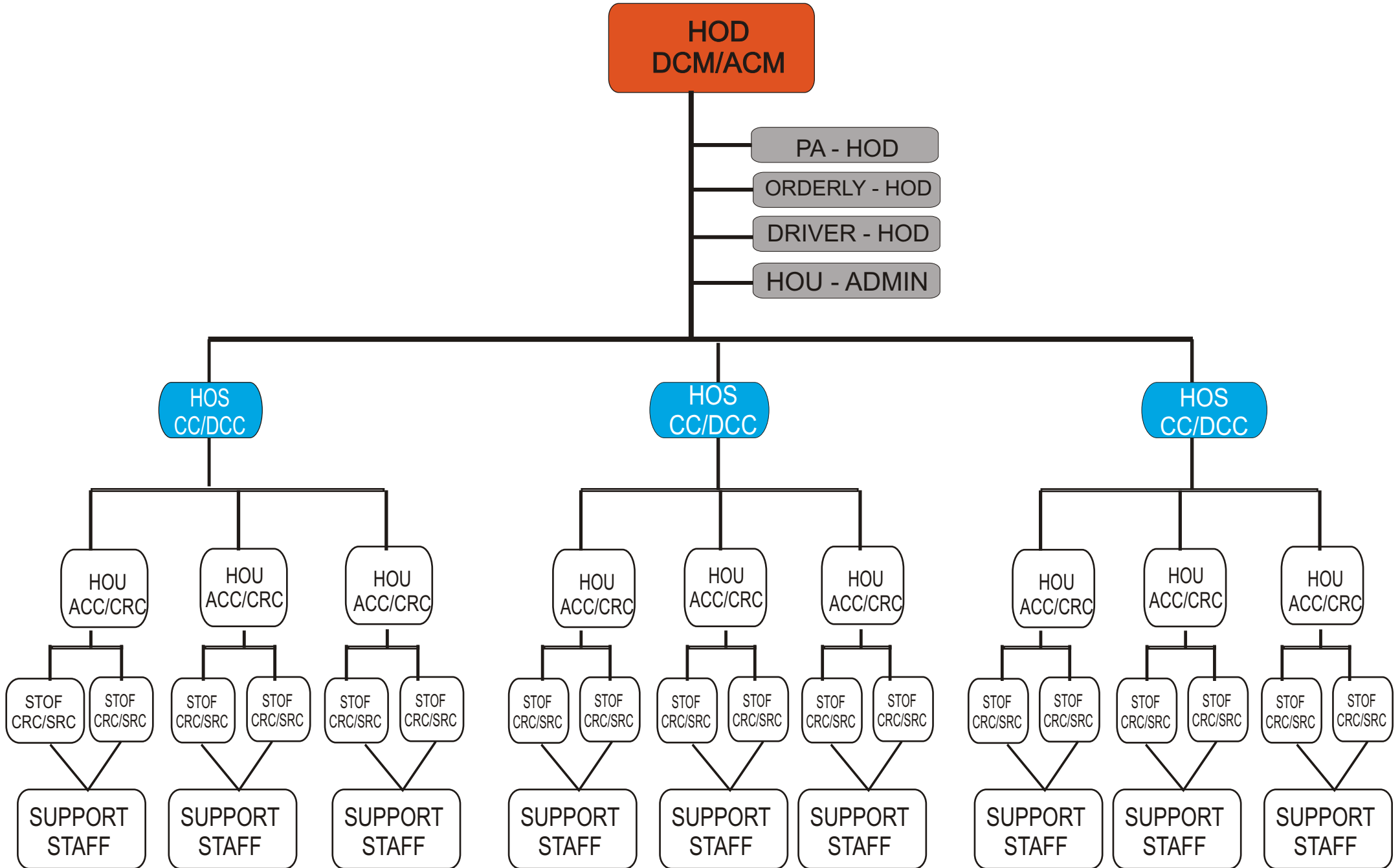
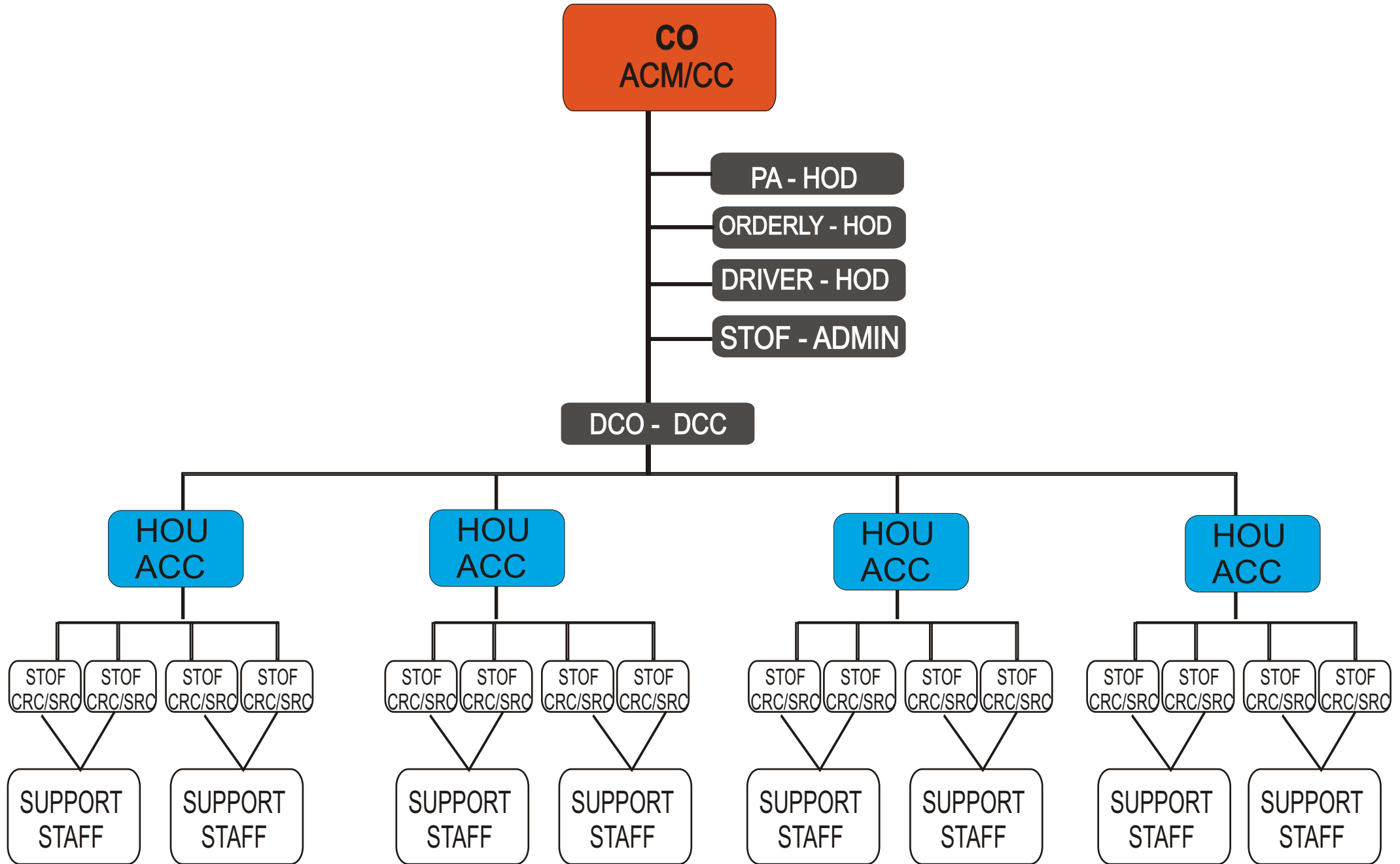


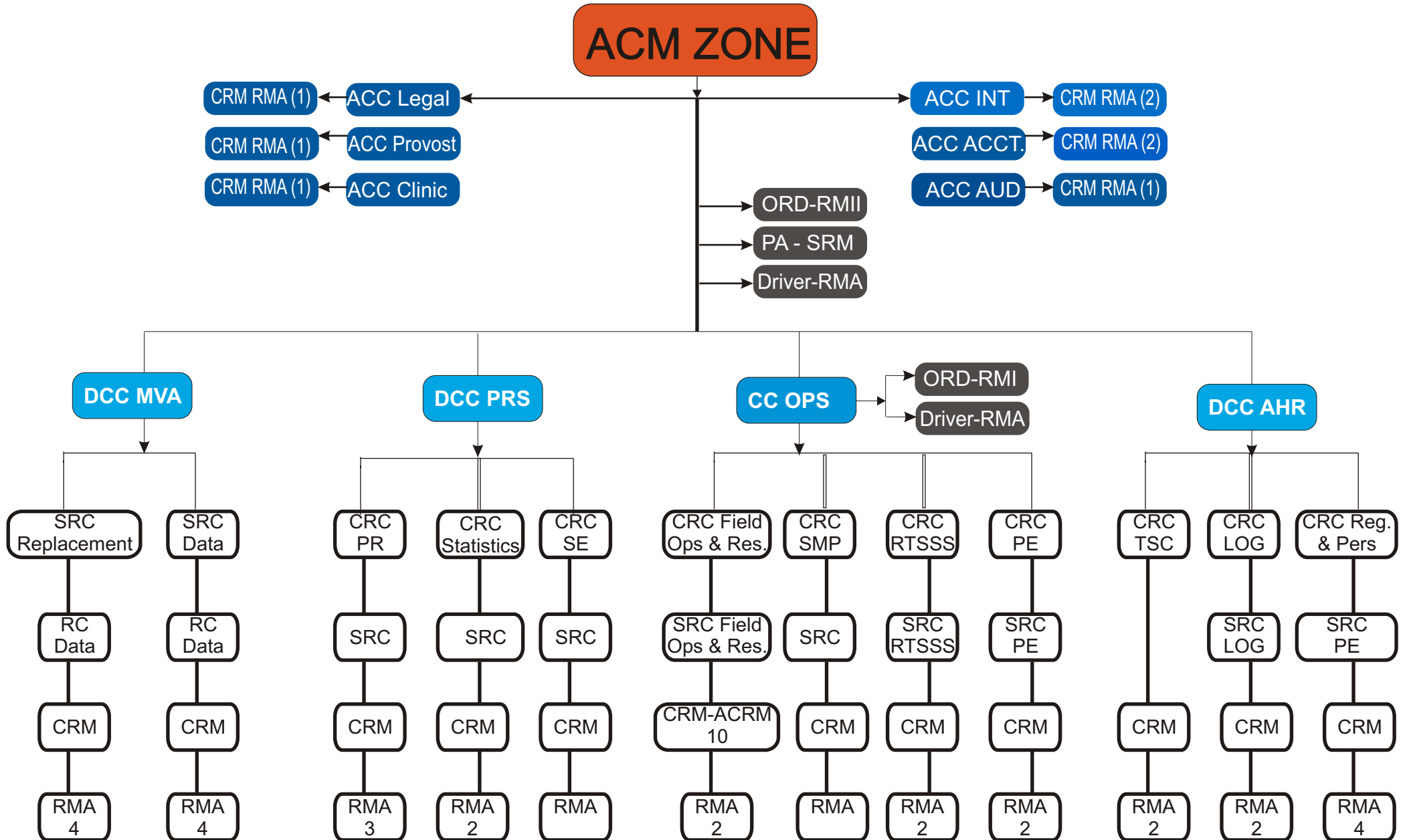
FRSC DEPARTMENTAL ORGANOGRAM



FRSC CORPS OFFICES ORGANOGRAM

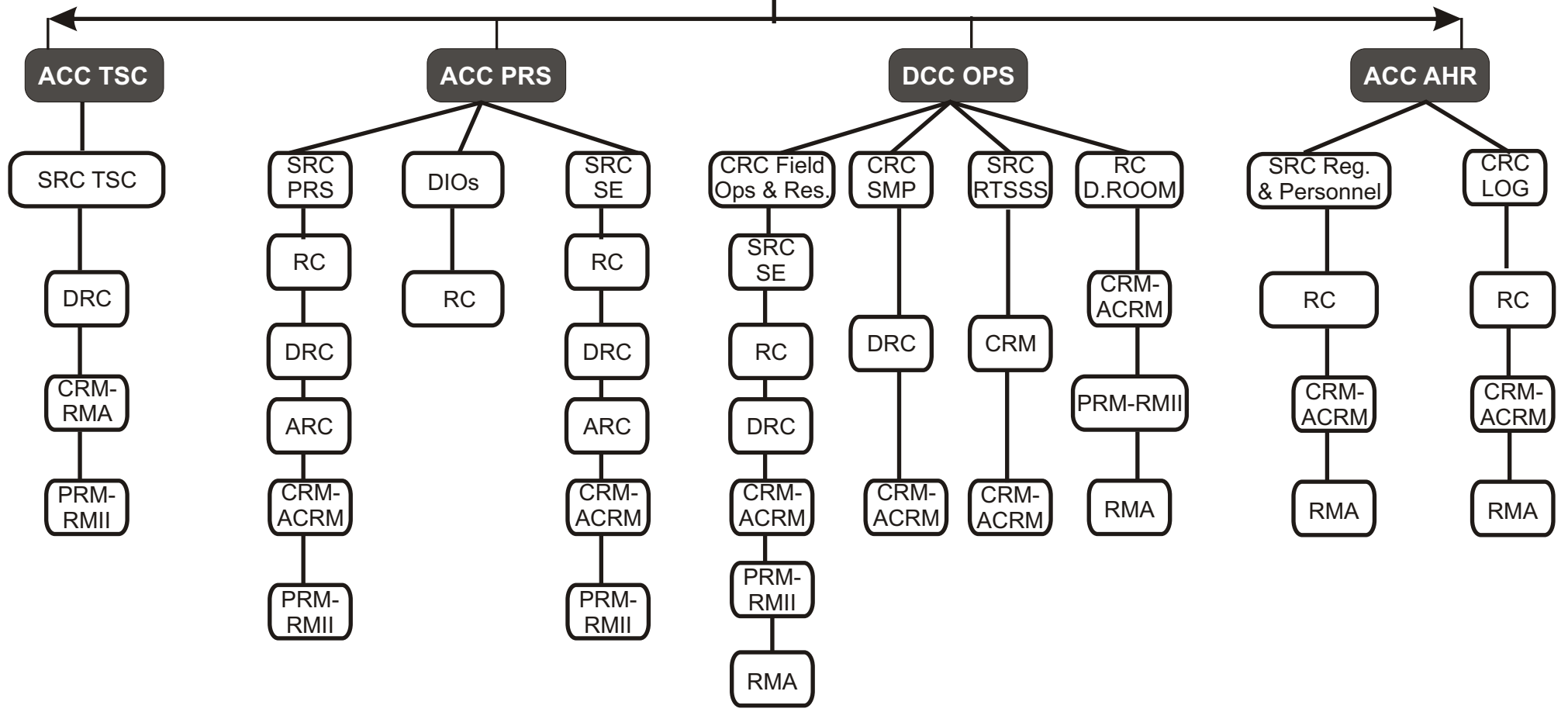
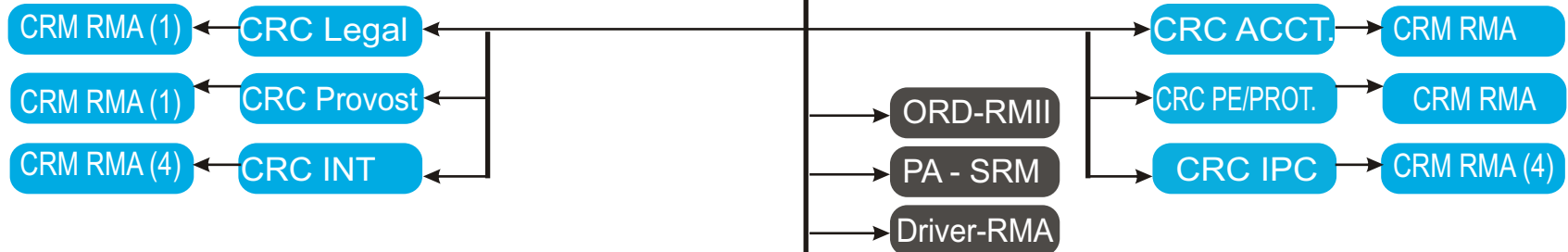


FRSC ZONAL COMMAND ORGANOGRAM

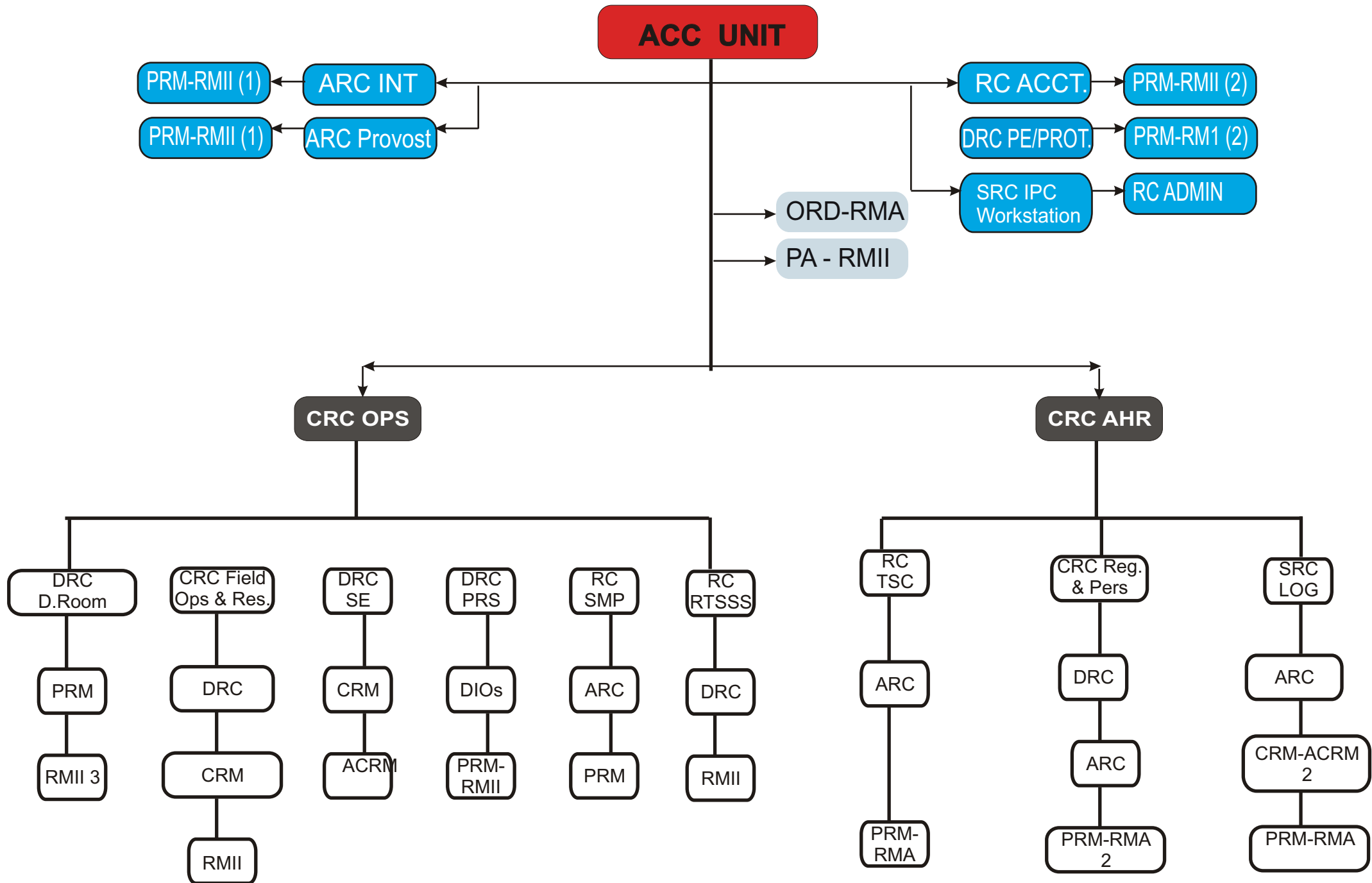


FRSC SECTOR COMMAND ORGANOGRAM

CC SECTOR



FRSC UNIT COMMAND ORGANOGRAM



LEGEND:

| | | |
|------------|---|--|
| DCM | - | Deputy Corps Marshal |
| ACM | - | Assistant Corps Marshal |
| CC | - | Corps Commander |
| DCC | - | Deputy Corps Commander |
| ACC | - | Assistant Corps Commander |
| CRC | - | Chief Route Commander |
| SRC | - | Senior Route Commander |
| RC | - | Route Commander |
| DRC | - | Deputy Route Commander |
| ARC | - | Assistant Route Commander |
| CRM | - | Chief Road Marshal |
| ACRM | - | Assistant Chief Road Marshal |
| PRM | - | Principal Road Marshal |
| RMI | - | Road Marshal One |
| RMII | - | Road Marshal Two |
| RMA | - | Road Marshal Assistant |
| HOD | - | Head of Department |
| HOS | - | Head of Section |
| CO | - | Corps Officer |
| DCO | - | Deputy Corps Officer |
| HOU | - | Head of Unit |
| STOF | - | Staff Officer |
| AHR | - | Administration & Human Resources |
| TSC | - | Training, Standards and Certification |
| PRS | - | Policy, Research & Statistics |
| SE | - | Safety Engineering |
| OPS | - | Operations |
| SMP | - | Special Marshals & Partnership |
| RTSSS | - | Road Transport Safety Standardization Scheme |
| PEO | - | Public Education Officer |
| LOG | - | Logistics |
| INT | - | Intelligence |
| PROT | - | Protocol |
| D/Room | - | Duty Room |
| DIO | - | Data Information Officer |
| IPC | - | Information Processing Center |
| Reg & Pers | - | Registry and Personnel |
| PA | - | Personal Assistant |
| Driver | - | Driver |